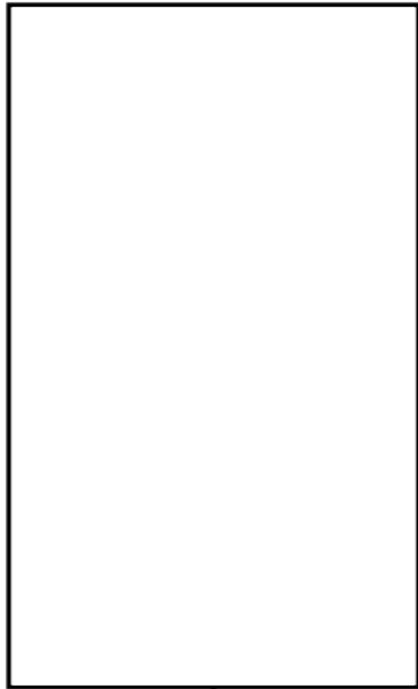


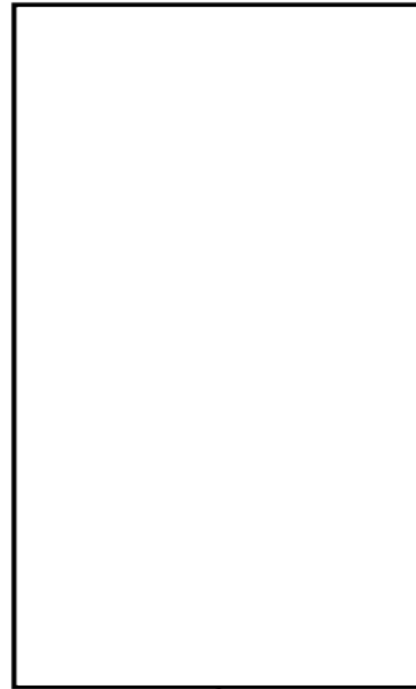
# How Web Browsing and HTTP Works

# Web Browsing Example

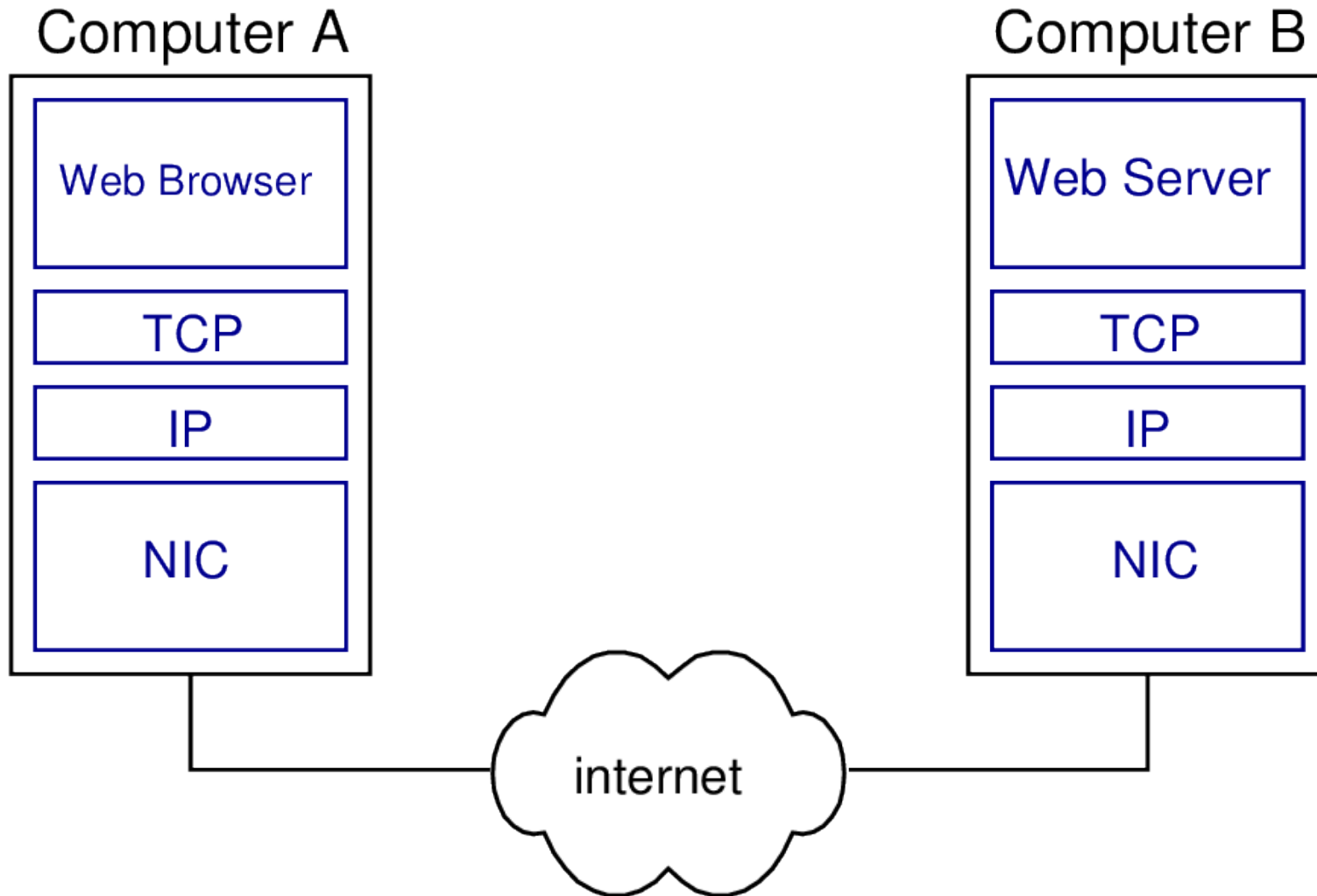
Computer A



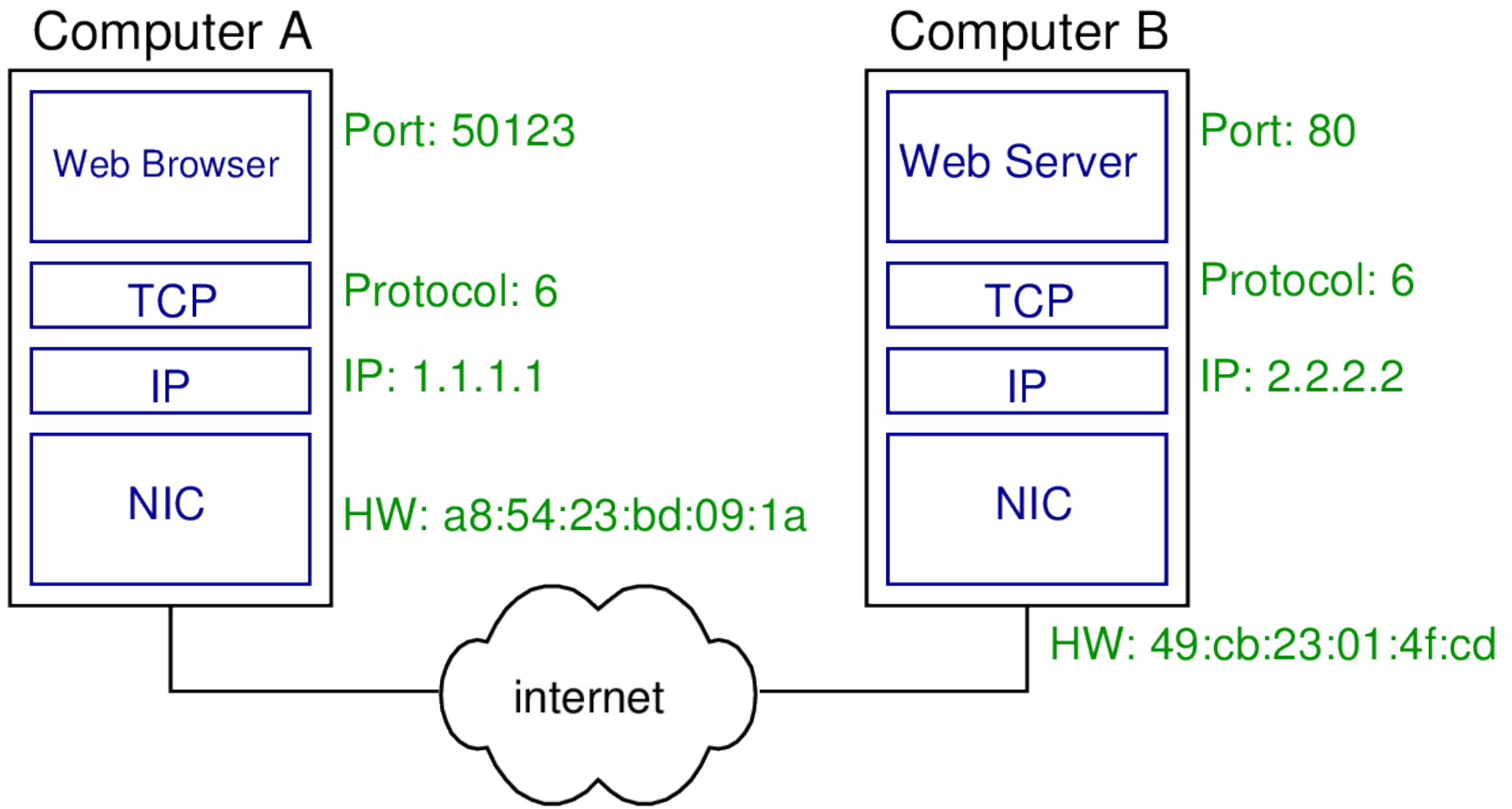
Computer B



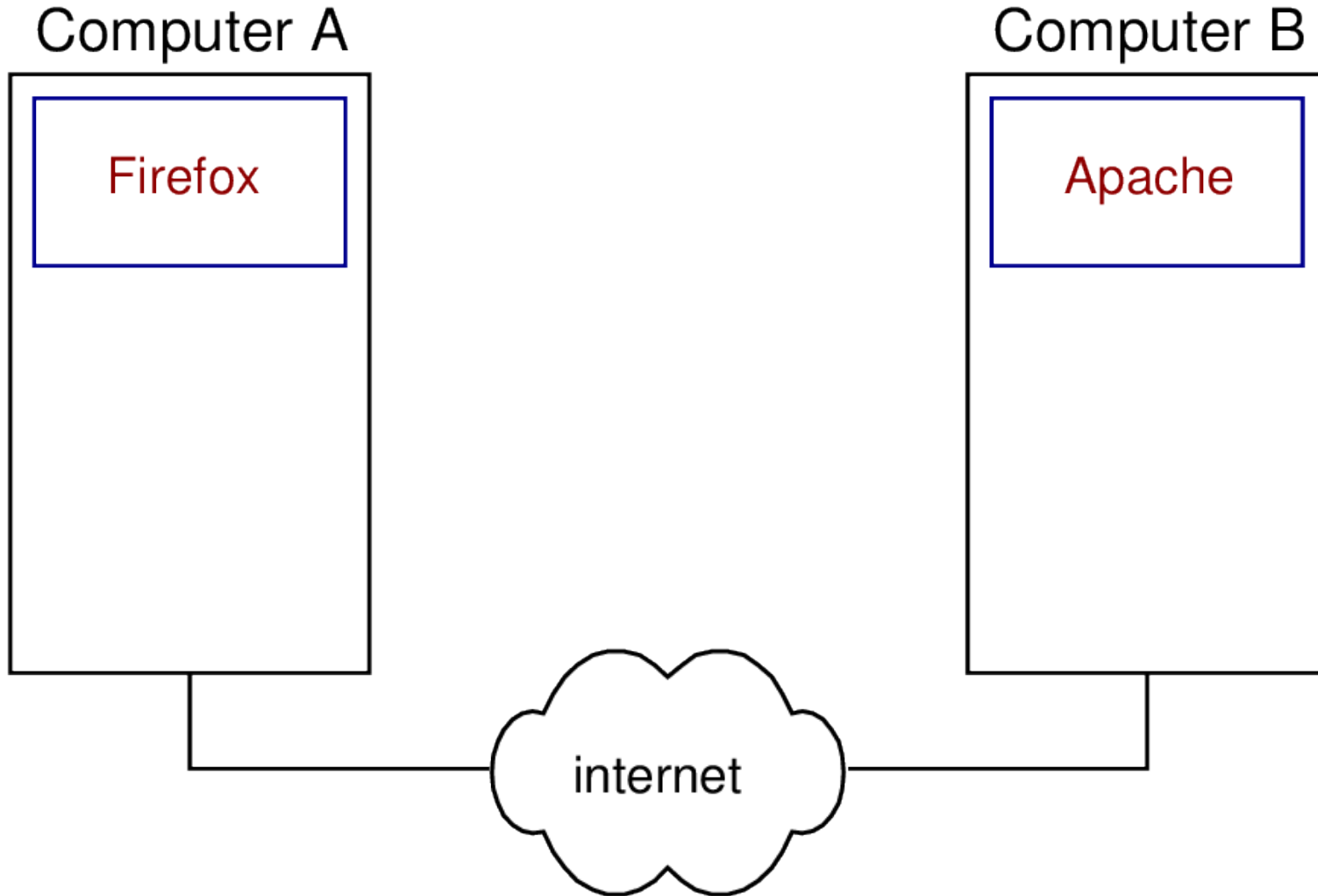
# Web Browsing Example



# Web Browsing Example



# Web Browsing Example



# Web Browsing Example

Computer A

Firefox

Computer B

Apache

Config: `/etc/apache2/`

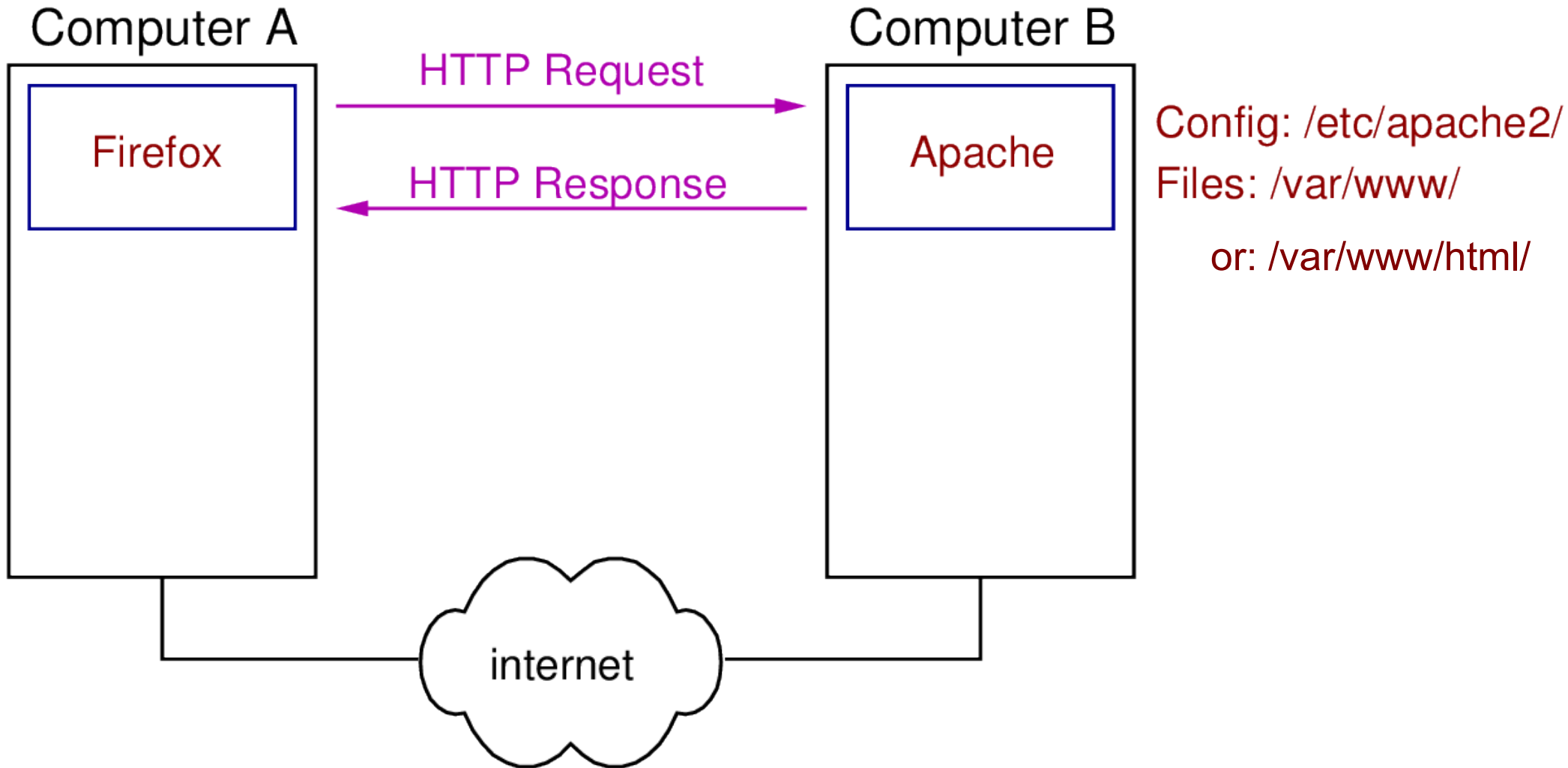
Files: `/var/www/`

or: `/var/www/html/`

internet

```
graph LR; A[Computer A] --- I((internet)); I --- B[Computer B]; subgraph B; direction TB; B1[Apache]; B2[Config: /etc/apache2/]; B3[Files: /var/www/]; B4[or: /var/www/html/]; end
```

# Web Browsing Example



# Summary

- Web server listens on port 80
  - `/etc/services` lists the port numbers
- Web browser OS chooses own port
- HTTP: Request/Response protocol
  - Request types: GET, POST, ...
  - Response codes: 200, 301, 304, 401, 404, ...
  - TCP is protocol, number 6 (see `/etc/protocols`)
- Apache is common web server
  - Configuration in text files in `/etc/apache2/`
  - Main config file: `/etc/apache2/sites-available/default`
  - Web site is in `/var/www/html/` (Apache 2.4)