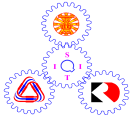


NameID SectionSeat No.....



Sirindhorn International Institute of Technology Thammasat University

Final Examination: Semester 2/2008

Course Title : CSS322 Security and Cryptography

Instructor : Dr Steven Gordon

Date/Time : Thursday 5 March 2009, 9:00 to 12:00

Instructions:

- This examination paper has 17 pages (including this page).
- Condition of Examination
 - Closed book
 - No dictionary
 - Non-programmable calculator is allowed
- Students are not allowed to be out of the exam room during examination. Going to the restroom may result in score deduction.
- Turn off all communication devices (mobile phone etc.) and leave them under your seat.
- Write your name, student ID, section, and seat number clearly on the answer sheet.
- The space on the back of each page can be used if necessary.

Multiple Choice Questions [18 marks]

Select the most accurate answer. Select only one answer. Each question is worth 1.5 marks. You will receive 0 marks for a wrong answer.

1. What function can be used to convert a hash function into a MAC function?
 - a) MD5
 - b) SHA1
 - c) HMAC
 - d) Triple DES
 - e) RSA
 - f) None of the above
2. Assume a user had a 10-character password. Which would you consider the strongest against a dictionary attack?
 - a) Random characters
 - b) Combination of two English words
 - c) Pronounceable string (without dictionary words)
 - d) Combination of names of people
 - e) Words with a mixture of upper and lower case characters
 - f) Words combined with numbers and special characters
3. If Transport Layer Security is used to secure data (e.g. web pages) between a client and server, TLS uses:
 - a) Public key algorithms for data confidentiality and MD5 or SHA1 for data integrity
 - b) Symmetric key algorithms for key exchange and message authentication codes for authentication
 - c) Message authentication codes for data integrity and symmetric key algorithms for data confidentiality
 - d) Public key algorithms for key exchange and Diffie-Hellman for data integrity
 - e) None of the above
4. Which technology is most appropriate to create a VPN?
 - a) TLS
 - b) IPsec
 - c) DDoS
 - d) SSH
 - e) RSA
 - f) None of the above

5. A computer virus:
 - a) Is host independent
 - b) Is non-replicating
 - c) Goes through the phases of being dormant, propagating, triggering and execution.
 - d) Is a program that searches for other systems to infect, connects to a remote system and copies itself to that remote system and executes.
 - e) Is a program modification that contains unauthorized access to functionality
 - f) Is none of the above.
6. Software that replicates itself and sends the copies to other computers is best described as a:
 - a) Logic bomb
 - b) Trojan horse
 - c) Rootkit
 - d) Exploit
 - e) Worm
 - f) Backdoor
7. A malicious user in a buffer overflow attack aims to:
 - a) Overwrite the existing instruction pointer with malicious code
 - b) Overwrite the existing instruction pointer with NOP instructions
 - c) Overwrite the existing instruction pointer with a new instruction pointer
 - d) Overwrite the program stack with the malicious code
 - e) Overwrite the program stack with NOP instructions
 - f) Overwrite the program stack with a new instruction pointer
8. Consider a passwords file on a computer system:
 - a) The entire file must be encrypted
 - b) The individual passwords in the file must be in plaintext
 - c) No two users can have the same password
 - d) The file must not be readable by administrator users
 - e) The number of attempts to read the file must be limited
 - f) None of the above
9. What standard is used to describe digital certificates?
 - a) X.509
 - b) IPsec
 - c) TLS
 - d) IETF
 - e) MD5
 - f) RSA

10. Which of the following cannot be used to provide authentication?
- a) DES
 - b) RSA
 - c) MD5
 - d) SHA-1
 - e) AES
 - f) None of the above
11. To allow confidential access to web sites using HTTPS, web browsers most often use:
- a) IPsec
 - b) TLS
 - c) MD5
 - d) SSH
 - e) SHA-1
 - f) None of the above
12. Using symmetric key encryption to successfully provide authentication relies upon:
- a) The sender encrypting with a private key
 - b) The sender encrypting with a public key
 - c) The sender sending an encrypted copy of the shared secret key
 - d) The recipient being able to identify messages encrypted with the wrong key
 - e) The recipient being able to make their shared secret key public
 - f) The recipient being able to perform a hash operation on the received ciphertext

General Questions [82 marks]

Question 1 [14 marks]

Consider the diagram below where a packet filtering firewall (FW1) is running on router R2. The “internal” networks are on the left of the firewall (that is, connected to interface 1 of router R2). Each IP network is identified by a letter (e.g. “Network A”), and each host on a particular network is identified by a number (e.g. “Host A.4”). You can refer to “any” value using * (e.g. “A.*” meaning all hosts on network A). Note that although only several hosts are shown in the figure, you must assume there may be more hosts than shown in each network.

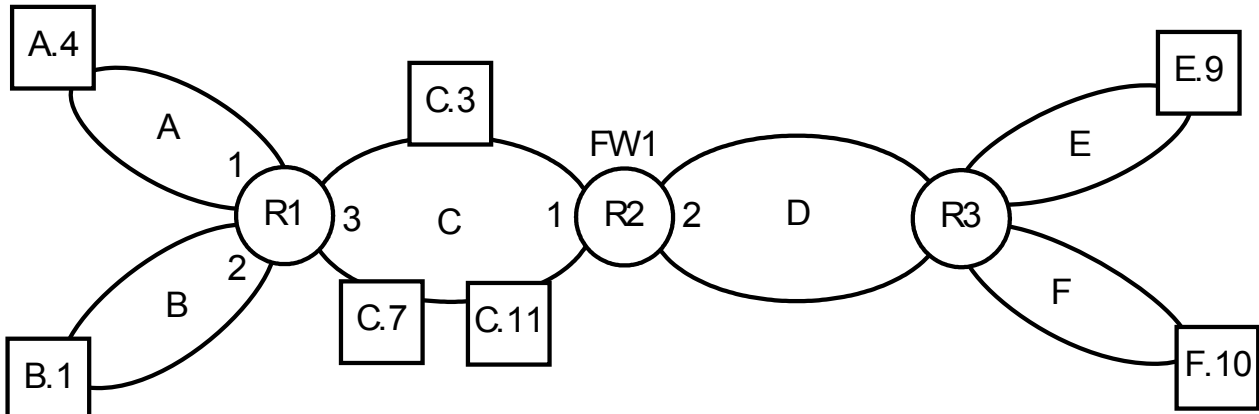


Figure 1: Firewall Network

For the following scenarios, complete the necessary firewall rules in the table provided. You do not have to use all table rows, and you can add more rows if necessary. You must use the correct values in the table (e.g. “*” or “A.4” or “A.*” are valid addresses; a written description is not valid). The default policy in all cases is DROP. Treat each part independent of other parts. All application protocols in this question use TCP. The interface numbers are written next to the router in the above figure. Assume Stateful Packet Inspection (SPI) is used.

a) Allow all internal hosts to connect to all web servers. [2 marks]

Interface	SrcIP	SrcPort	DestIP	DestPort	Protocol	Action

b) Allow all hosts on network F to connect to the secure shell (SSH) server on C.7. [2 marks]

Interface	SrcIP	SrcPort	DestIP	DestPort	Protocol	Action

- c) Allow all hosts on network C, except the two servers (C.3 and C.7), to connect to all email servers. [3 marks]

Interface	SrcIP	SrcPort	DestIP	DestPort	Protocol	Action

Assume the firewall table contains all rules as you created in the previous parts and the SPI table is initially empty.

- d) Complete the SPI table after the following connections have been established or blocked. [2 marks]
- Web browser with port 4031 on Host A.4 has initiated a connection to the web server on E.9.
 - Client with port 5506 on Host F.10 has initiated a connection to the SSH server on C.7.

Initiator IP	Initiator Port	Responder IP	Responder Port

Assume a second packet filtering firewall (FW2) is installed on router R1 to create a Demilitarised Zone (DMZ) in network C. An application-level firewall that acts as a proxy for web and email traffic is installed on C.11. Other traffic (that is not web or email) is not allowed. Assume the firewall entries from the previous parts are deleted (that is, the firewall and SPI tables are empty).

- e) Complete the firewall tables for both firewalls so that the traffic cannot bypass the application-level firewall. [5 marks]

Firewall FW1:

Interface	SrcIP	SrcPort	DestIP	DestPort	Protocol	Action

Firewall FW2:

Interface	SrcIP	SrcPort	DestIP	DestPort	Protocol	Action

Question 2 [13 marks]

- a) Draw a diagram that illustrates an ICMP Ping distributed denial of service attack. Show (and label) the nodes involved (including Attacker, Slaves, Reflectors and Target), the direction of messages and the types of messages. [4 marks]

- b) Of the nodes involved in the ICMP attack, which nodes are controlled (or infected) by the malicious user? [1 mark]

- c) In the ICMP attack, what will the values of the IP source and destination addresses be for ECHO Request and ECHO Reply messages? (Do not give specific IP address, instead refer to the types of nodes in the network) [2 marks]

ECHO Request - Source IP Address

ECHO Request - Destination IP Address

ECHO Reply - Source IP Address

ECHO Reply - Destination IP Address

- d) A DoS makes a system (network and/or computers) unavailable for normal users to use. Explain how the ICMP attack achieves this, including what does it make “unavailable”. [2 marks]
- e) Explain the difference between a *direct* DDoS attack and a *reflector* DDoS attack. [2 marks]
- f) State two advantages of a reflector DDoS attack (compared to direct DDoS attack). [2 marks]

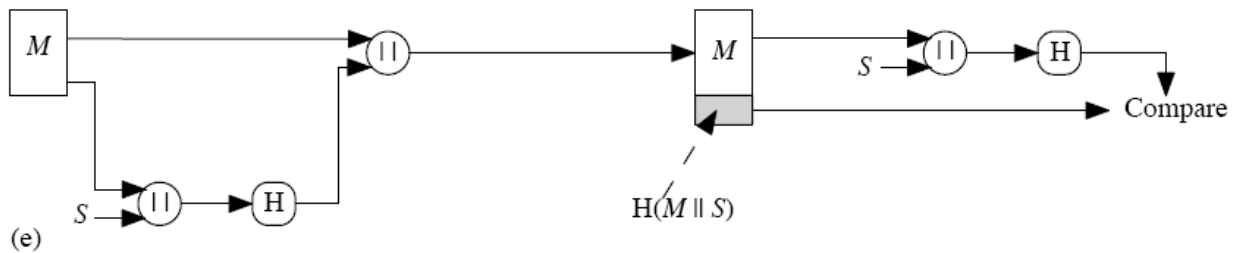
Question 3 [10 marks]

a) Describe the one-way property of hash functions. [2 marks]

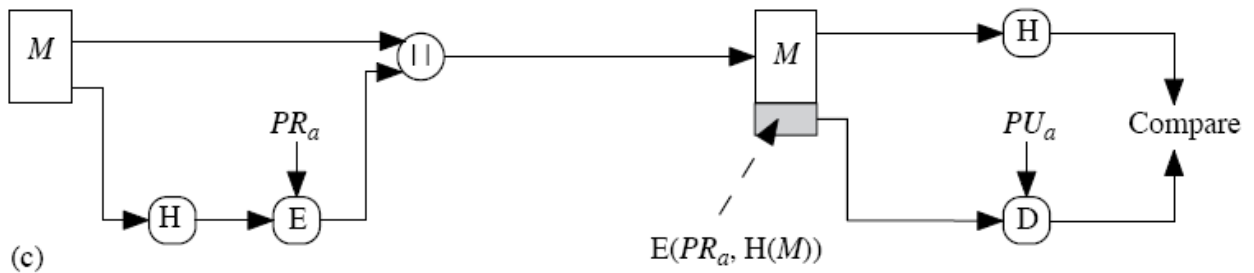
b) Describe the weak collision resistance property of hash functions. [2 marks]

c) Describe the strong collision resistance property of hash functions. [2 marks]

d) The following figure shows a technique for authentication. M is a message and S is a shared secret. Explain the problem in this scheme if the hash function does not have the one-way property (that is, what could a malicious user do and how could they do it?) [2 marks]



- e) The following figure shows a technique for authentication. M is a message sent by node a . Explain the problem in this scheme if the hash function does not have the weak collision resistance property (that is, what could a malicious user do and how could they do it?) . [2 marks]



Question 5 [7 marks]

Three important parts of a digital certificate for a user are the identity of that user (ID_{user}), the public key of the user (PU_{user}) and the signature of the authority (S_{auth}). Together, a digital certificate may be shown as $C_{user} = \langle ID_{user}, PU_{user}, S_{auth} \rangle$. Note that a certificate authority may sign its own certificate (C_{auth}) and whenever a user obtains their certificate (C_{user}) from the authority, the user also obtains the authorities certificate (C_{auth}). All public keys are stored/transmitted in certificates.

Consider a hierarchical scheme where user A obtains its certificate from authority X, user B obtains its certificate from authority Y, and both X and Y obtain their certificates from authority Z.

- a) Assuming every node has its own certificate, in the initial state, complete the list of *other* certificates that each node has. (The list already contains each nodes own certificate) [2.5 marks]:

User A:	$C_A,$
User B:	$C_B,$
Authority X:	$C_X,$
Authority Y:	$C_Y,$
Authority Z:	$C_Z,$

User A has sent its certificate, C_A , to user B.

- b) Explain why user B cannot immediately validate the certificate of A. [1.5 marks]
- c) Explain the steps taken for the certificate to be validated by user B, including the exchange of any additional certificates between nodes. [3 marks]

- d) If the malicious user modifies the IP source address in the packet, will host H5 detect the modification? Explain your answer. [1 mark]

In parts (e) to (h), assume IPsec in tunnelling mode (with Encapsulating Security Payload) is used, where the tunnel end points are routers R2 and R7. Host H1 is sending data to H5. The application protocol is called APP, which uses TCP as a transport protocol. Packets are routed via R4 and R6.

- e) Draw the structure of the packet sent by H1. Show all headers/trailers, and for any IP headers, indicate the source and destination addresses. [2 marks]

- f) Draw the packet structure of the packet received by router R4. Show all headers/trailers, and for any IP headers, indicate the source and destination addresses. [3 marks]

- g) Can the malicious user determine the destination host? Explain your answer [1 mark]

h) Can the malicious user determine the IP subnet from where the packet originated from? Explain your answer. [1 mark]

i) Describe two advantages of using tunneling mode (versus transport mode) of IPsec. [2 marks]

Question 7 [15 marks]

Below is the pseudo code of a simple virus.

```
1. program V :=
2. {goto main;
3.     1234567;
4.     subroutine infect-executable :=
5.         {loop:
6.             file := get-random-executable-file;
7.             if (first-line-of-file = 1234567)
8.                 then goto loop
9.                 else prepend V to file; }
10.    subroutine do-damage :=
11.        {whatever damage is to be done}
12.
13.    subroutine trigger-pulled :=
14.        {return true if some condition holds}
15. main: main-program :=
16.     {infect-executable;
17.     if trigger-pulled then do-damage;
18.     goto next;}
19. next:
20.     <original program>
21. }
```

- a) If this virus was also a logic bomb, give two examples of conditions for the logic bomb. [2 marks]
- b) Explain the line(s) of code that would implement the logic bomb. [2 marks]
- c) How many other files does this virus infect? Explain your answer. [2 marks]
- d) Will this virus infect a file that is already infected with the virus? Explain your answer. [1 mark]

- e) Explain why it is relatively easy for anti-virus software to detect such a virus. [2 marks]
- f) Ignoring techniques such as polymorphic and metamorphic viruses, explain how this virus can be improved to avoid detection by anti-virus software. [2 marks]
- g) Explain the difference between a worm and a virus. [2 marks]
- h) Explain the difference between a polymorphic virus and a metamorphic virus. [2 marks]